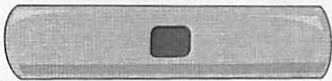


TURBOMATE® INSTALLATION GUIDE



Assembly and Installation

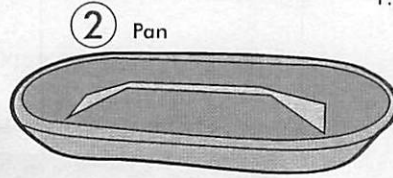
To install on the feed tube, it is necessary to make sure that the tube has already been prepared with the correct hole on the underside. This hole will supply the feed that will go through the TURBOMATE®.



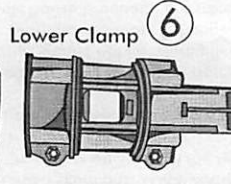
Reference Graphic

Once the hole is located, we can continue with assembly. First you will need to identify the pieces for assembly.

- 1. Hopper
- 2. Pan
- 3. Shutter No.1 (Short)
- 4. Shutter No.2 (Long)
- 5. Upper Clamp
- 6. Lower Clamp with sliding feed dispenser
- 7. Nuts and Bolts (3 Bolts, 3 Nuts and 2 Washers)

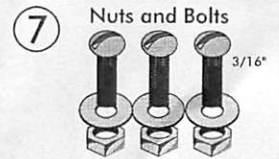


5 Upper Clamp

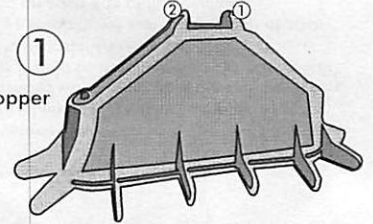


3 Shutter No.1 Short

4 Shutter No.2 Long



We recommend the use of a manual screwdriver or drill in low power/torque position when tightening fasteners. Overtightening will cause damage to the TURBOMATE®.



1 Hopper

Box contents: 25 sets Turbomate short
20 sets Turbomate long

STEP 1 CLAMPS

Place clamp with sliding dispenser on the bottom of the feed tube with feed tube hole centered in the slide opening. Place clamp with directional arrows on top of the feed tube.

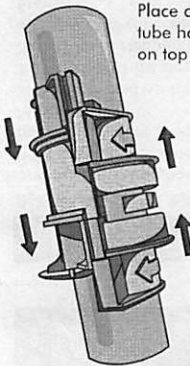
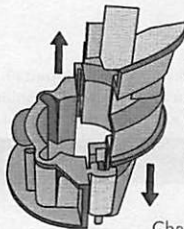
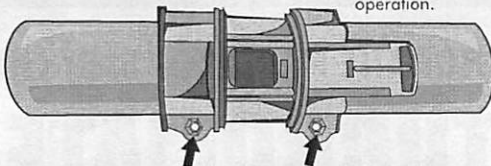


Figure 1



Join the clamp sections together by sliding the "T" shaped tabs on the upper clamp into the corresponding channels on the lower clamp. (Figure 1)

Check that all feed dispensers are installed in the same direction to ensure proper operation.



Make sure the clamps are slid together so that the bolt holes line up. Secure the clamps together with a washer, nut and bolt in the indicated sites.

STEP 2 SHUTTER

Without joining them, place shutter 1 and shutter 2 inside the upper mouth of the hopper (Figure 2). Make sure the numbers on the shutters coincide with the numbers 1 and 2 marked on the upper section of the Hopper. Join the sections from the bottom of the hopper until they click, making sure that they are properly assembled. Once the two pieces are joined they will not separate (Figure 3).

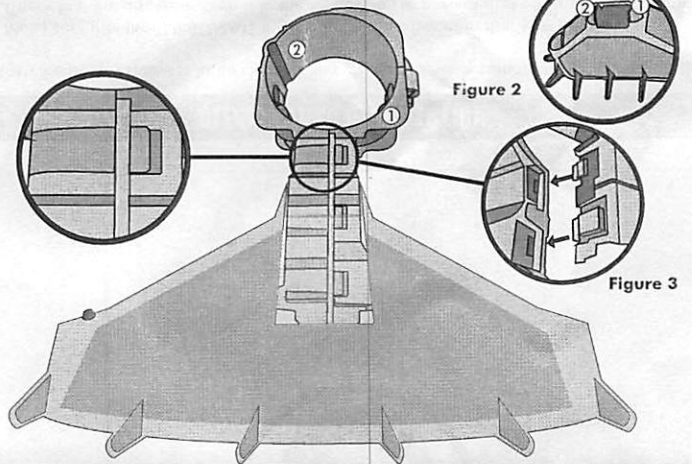


Figure 2

Figure 3

STEP 3 HOPPER AND PAN

Insert the hopper into the internal lip of the pan using slight pressure to join (Figure 4).

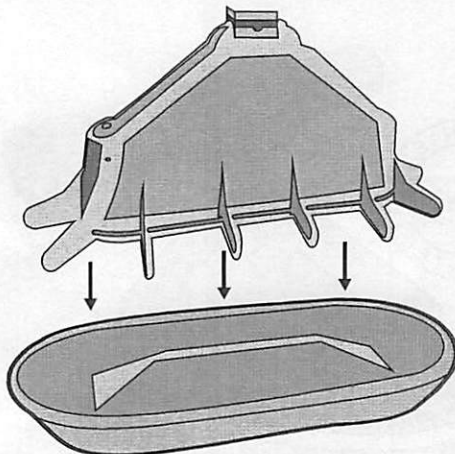


Figure 4

Make sure all divisions are properly inserted inside the pan to prevent it from coming loose.

STEP 4 SHUTTER AND CLAMP

Slightly open part 2 of the shutter and place around the clamp. Make sure it is placed in the center of the sliding channel. Fasten together using a nut and bolt (Figure 5).

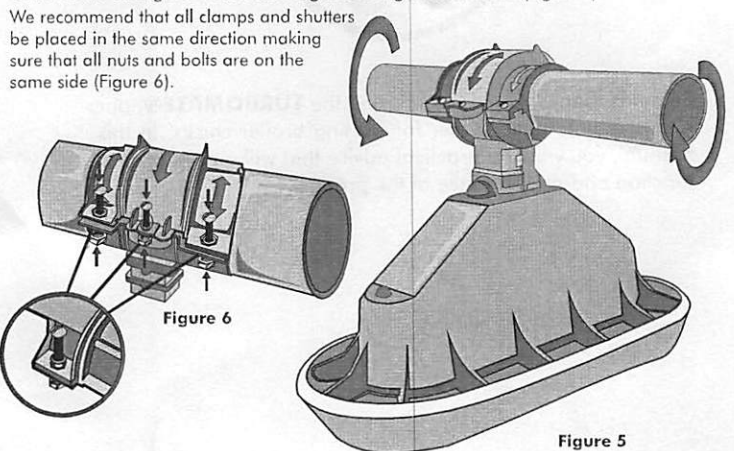
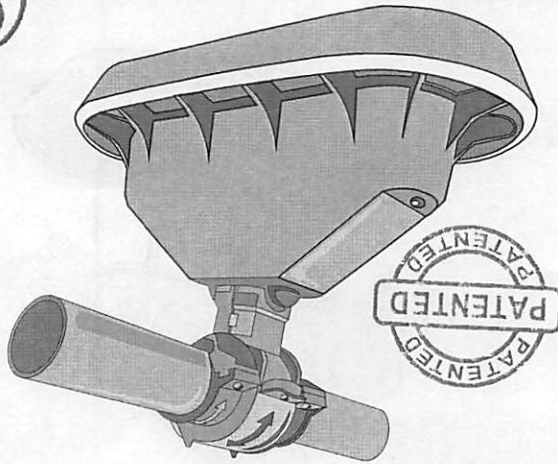


Figure 6

Figure 5



US PATENT NO. 009 713 320 B2



TURBOMATE® AUTOMATIC FEEDER FOR BABY CHICKS

USER MANUAL

RECOMMENDATIONS

Before installing TURBOMATE®, make sure all feedline holes are aligned with each other and pointing straight down. If not, make adjustments to prevent future twisting issues. If the feed line tube does not have additional perforations for installing the TURBOMATE® automatic feeder, please do the following:

Materials:

1. Hammer and center punch
2. 1/4" drill bit for steel to make the guide perforation.
3. 7/8" or 1" stepped conical drill bit.
4. Heavy duty variable speed drill.

Steps:

1. Make sure auger is not inside the feed tube.
2. Make a mark centered between the existing feed tube holes on the underside of the feed tube.
3. Using the hammer and center punch, make a small indentation on the previously marked spot.
4. With the 1/4" drill bit, perforate the tube making sure not to drill through the top side of the tube.
5. Using the 7/8" or 1" stepped conical drill bit, increase the diameter of the hole up to the edge also making sure not to drill through the top side of the tube.

NOTE: For new installations, request that the supplier provide a tube with ready-made perforations.

OPERATION

1. At the beginning of each flock, place the feeder in the "DOWN" position and open the feed dispenser to allow the auger to fill the pan.
2. As the height of the feedline is increased, the TURBOMATE® automatic feeder will remain at the proper height for chicks to continue feeding.
3. When the TURBOMATE®, is ready to be stored, slide the feed dispenser into the "OFF" and let the chicks eat the remaining feed from the pan.
4. After all the feed has been eaten, rotate the TURBOMATE®, into the "UP" position. "UP" position is about 145 around the tube. This will free up space between feeders allowing the birds to move more freely.
5. When feed lines are raised at the end of the flock, avoid hitting the roof structure with the TURBOMATE®, chick feeder.



Sephnos thanks you for purchasing the TURBOMATE®, our exclusive automatic feeder for starting broiler chicks. In this manual, you will find practical advice that will ensure proper function and performance of the product.

CLEANING AND DESINFECTION

When the poultry house is to be cleaned and disinfected, we recommend the following:

1. Make sure that the TURBOMATE®, automatic chick feeder in the "UP" position.
2. Check that the dispenser slide is in the off position to prevent dust and water from coming into the feed line.
3. If pressurized water is used, it must be at the lowest possible pressure using the widest fan nozzle. High pressure water will cause damage to the TURBOMATE®,
4. Once cleaning is complete and feeders are allowed to dry, they can be placed back into the "DOWN" position.

TUBE TURNING

In certain situations, TURBOMATE®, may cause the feed line to twist. This can have an effect on the augers ability to fill the regular feeders.

In order to prevent this problem, we recommend the following:

- Use an appropriate metal clamp on the joint between each section of the feed tube. These clamps should not be overtightened to the point where the feed tube collapses inward.
- Programmable feeder D hangers are recommended when using ribbed feed tube. When whole house brooding, programmable hangers should be installed every 30'. When half house brooding, programmable hangers should be installed every 20'.
- When TURBOMATE® is in the "UP" position, we recommend that the direction of each feeder is alternated in order to balance the load on each side of the feedline.

